



INSTRUCTION BULLETIN

No. 9006043
Machine: S20
Published: 01-2010
Rev. 00

NOTE: DO NOT DISCARD the Parts List from the Instruction Bulletin. Place the Parts List in the appropriate place in the machine manual for future reference. Retaining the Parts List will make it easier to reorder individual parts and will save the cost of ordering an entire kit.

NOTE: Numbers in parenthesis () are reference numbers for parts listed in Bill of Materials.

Installation instructions for **kit number 9006029**

SYNOPSIS:

This kit contains the parts needed to install a deluxe seat kit on S20 machines.
Please follow step-by-step instructions.

SPECIAL TOOLS / CONSIDERATIONS: NONE

(Estimated time to complete: 1 hour)

PREPARATION:

1. Park the machine on a clean level surface, turn off the machine, remove the key, and set the parking brake.

FOR SAFETY: Before leaving or servicing machine, stop on level surface, turn off machine, and remove key.

2. Disconnect the battery cables from the battery.



WARNING: Always disconnect battery cables from machine before working on electrical components.

3. Remove the existing operator seat from the machine. Discard the removed seat, seat switch harness, and all mounting hardware and components.

INSTALLATION:

1. Use two hex screws (9), two flat washers (10), and two hex nuts (11) to install the seat belts (8) onto the suspension seat (1). Refer to Fig. 1.
2. Use the hardware included with the seat switch (2) to install the seat switch onto the suspension seat (1). Refer Fig. 1.
3. Connect the seat harness (7) to the seat switch.
4. Use four hex screws (4), four flat washers (5), and four hex nuts (6) to install the suspension seat (1) onto the main cover. Refer to Fig. 1.
5. Route the seat harness (7) through the hole in the main cover and connect the seat harness to the main wire harness. Refer to Fig. 1, Fig. 2, and Fig. 3.
6. Use the hardware included with the suspension seat (1) to install the arm rest (3) onto the seat. Refer to Fig. 1.
7. Reconnect the battery cables to the battery / batteries.
8. Start and test the machine.

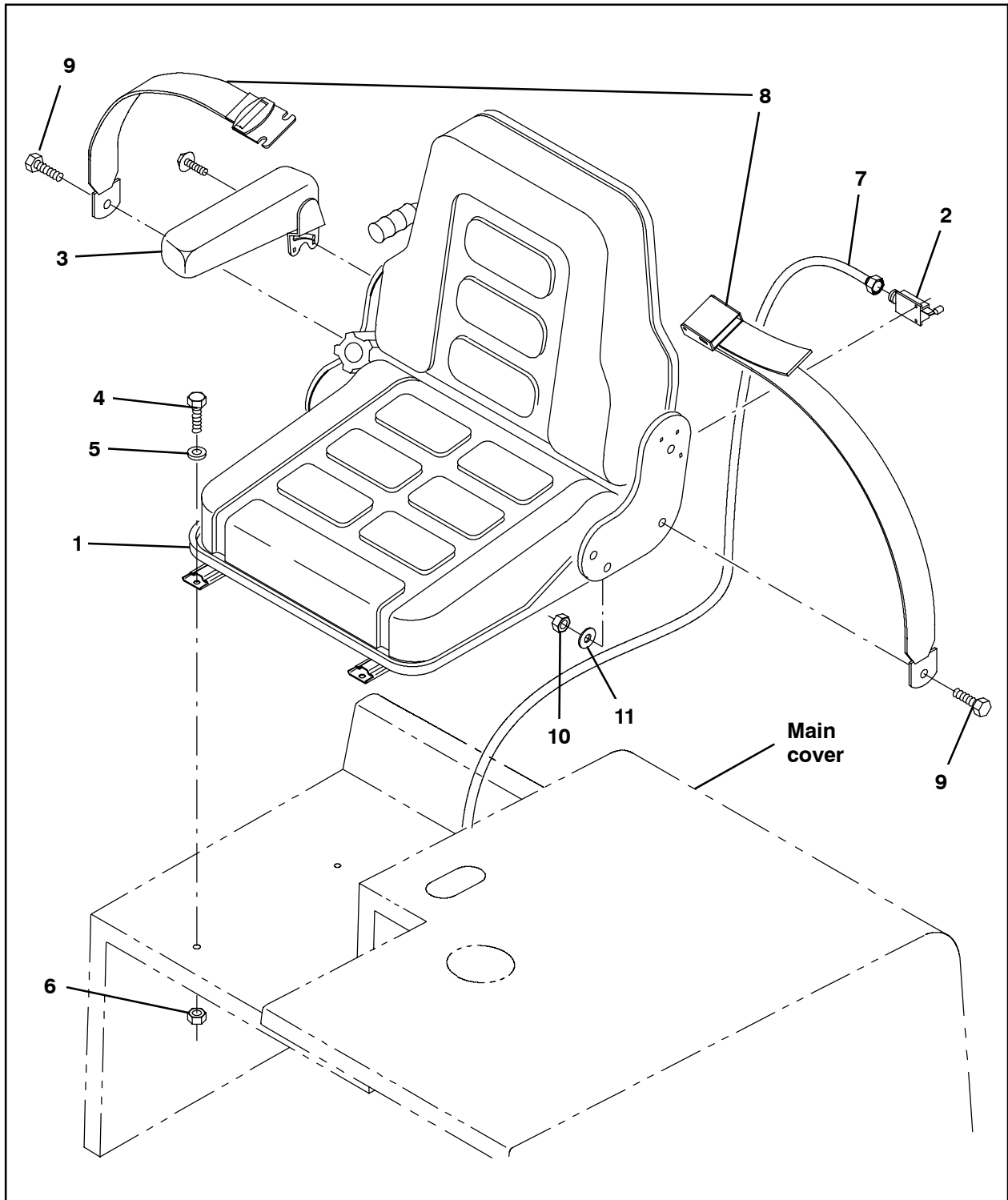


FIG. 1

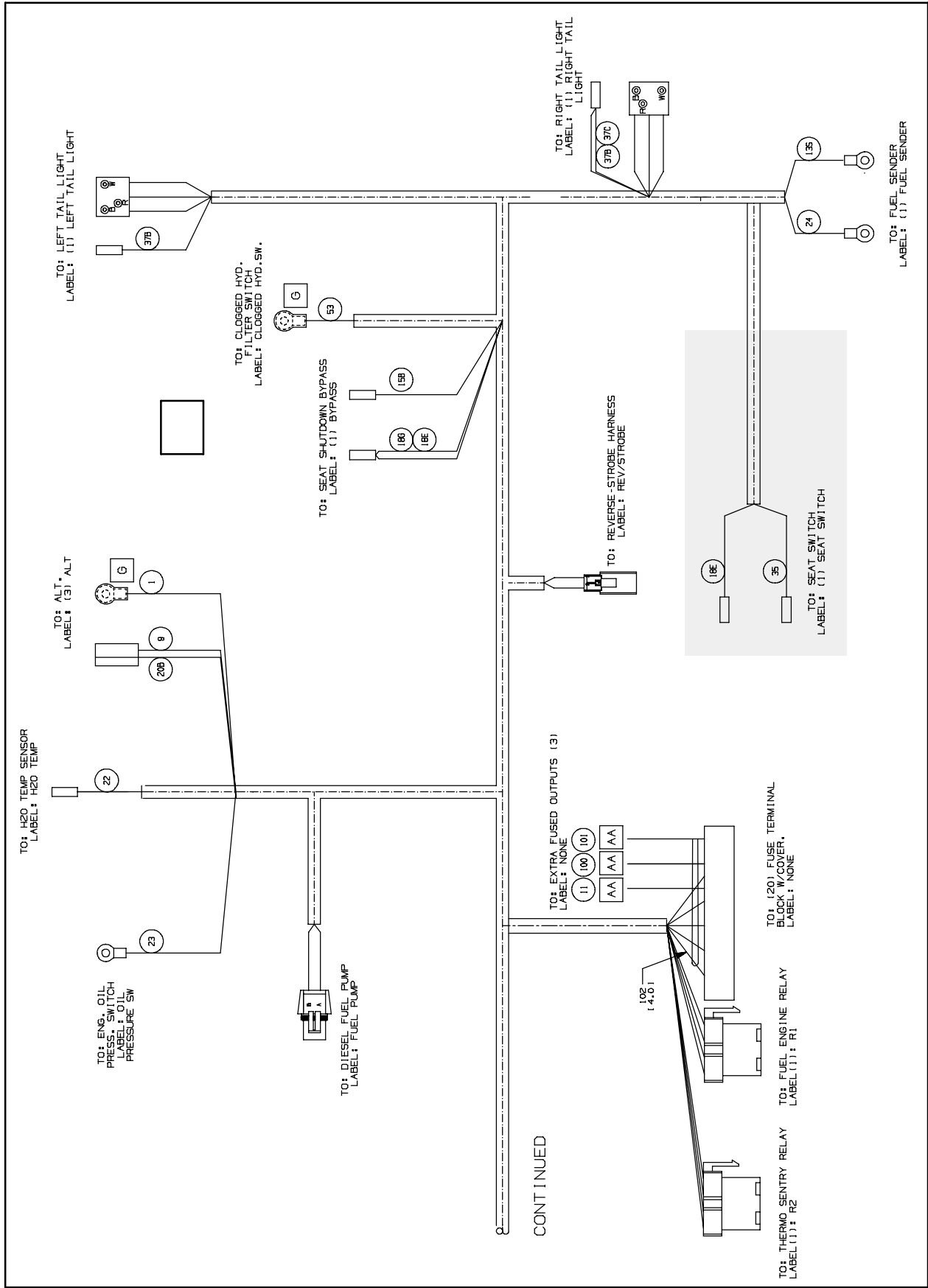


FIG. 2



FIG. 3

Bill of Materials for Seat Kit, Dlx, CI [S20] - 9006029

Ref.	Tennant Part No.	Description	Qty.
▽	9006029	Seat Kit, Dlx, CI [S20]	1
▲	1 1056543	Seat, Suspension [Grammer GS12]	1
▲	2 69971	Switch, Seat	1
▲	3 71477	Armrest Assy, RH, F/53845 [Grammer]	1
▲	4 41342	Screw, Hex, M8 X 1.25 X 40, 8.8	4
▲	5 32490	Washer, Flat, 0.25, Std	4
▲	6 08709	Nut, Hex, Lock, M8 X 1.25, NL	4
▲	7 1056539	Harness, Seat [S20]	1
▲	8 30533	Seatbelt, 60.0L	1
▲	9 39283	Screw, Hex, M10 X 1.50 X 25, 8.8	2
▲	10 41430	Nut, Hex, Lock, M10 X 1.5, NL	2
▲	11 32492	Washer, Flat, 0.38, Std	2

TENNANT COMPANY
P. O. Box 1452
Minneapolis, MN 55440-1452